

# Short Folding V-Head Pipe Stand



Model 455-S

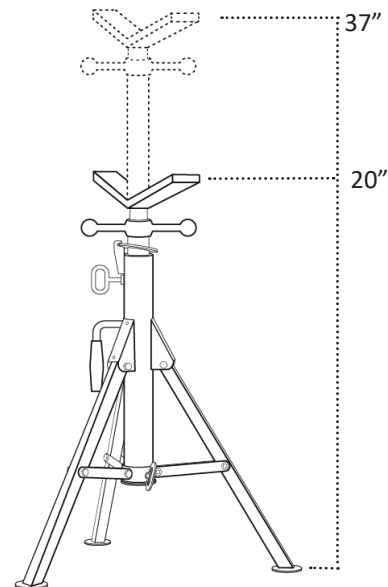
## OVERVIEW

Sawyer's Short Folding V-Head Pipe Stand is designed for low-clearance work, offering a 20"-37" height range and support for pipe up to 12". The heavy-duty steel frame includes reinforced legs, a secure V-head, and quick-adjust ACME threading. Folding legs make transport and storage easy.

## FEATURES AND BENEFITS

- V-Head for pipe up to 12" in diameter
- 2500 lb. (1135 kg.) load capacity
- Height adjustment range of 20" to 37"
- Designed for low-clearance applications
- ACME threaded adjustment rod for smooth height changes
- Locking ring allows fast, secure height adjustments
- Large adjustment screw turns easily
- Quick setup and tear-down for field use
- Heavy-duty steel frame with reinforced legs
- Folding leg design for easy transport and compact storage

## DIMENSIONS



### Model No.

455-S

### Description

Short Folding V-Head Pipe Stand

Contact Sawyer Mfg. Company for more info on the Pipe Stand.  
Follow us on social media and watch product videos on our YouTube channel **Sawyer Mfg**