

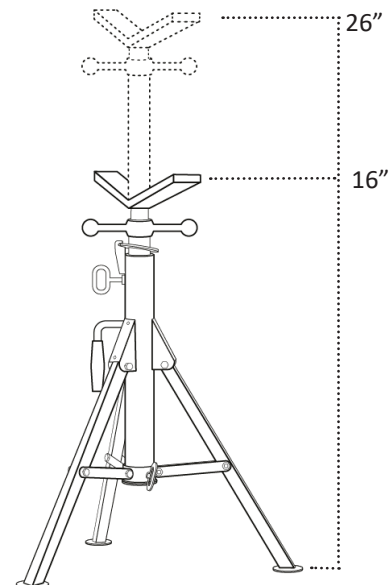
Short Folding V-Head Pipe Stand



FEATURES AND BENEFITS

- V-Head for pipe up to 12" in diameter
- 2500 lb. (1135 kg.) load capacity
- Height adjustment range of 16" to 26"
- Designed for low-clearance applications
- ACME threaded adjustment rod for smooth height changes
- Locking ring allows fast, secure height adjustments
- Large adjustment screw turns easily
- Quick setup and tear-down for field use
- Heavy-duty steel frame with reinforced legs
- Folding leg design for easy transport and compact storage

DIMENSIONS



Model 455-S

OVERVIEW

Sawyer's Short Folding V-Head Pipe Stand is designed for low-clearance work, offering a 16"-26" height range and support for pipe up to 12". The heavy-duty steel frame includes reinforced legs, a secure V-head, and quick-adjust ACME threading. Folding legs make transport and storage easy.

Contact Sawyer Mfg. Company for more info on the Pipe Stand.

Follow us on social media and watch product videos on our YouTube channel **Sawyer Mfg**

Model No.

455-S

Description

Short Folding V-Head Pipe Stand