

Fixed V Head Pipe Stand



FEATURES AND BENEFITS

- V Head for pipe up to 24" in diameter
- 2500 lb. (1135 kg.) load capacity
- Height adjustment range of 28" to 52"
- 1.5" ACME threaded adjustment rod for smooth height changes
- Locking ring allows fast, secure height adjustments
- Large adjustment screw turns easily
- Fixed leg design provides maximum stability

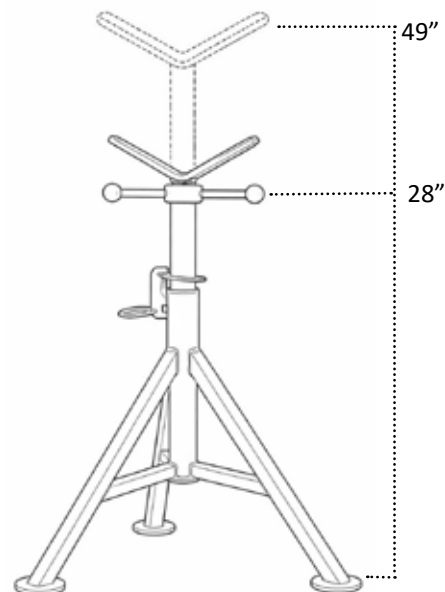


Model 455-FX

OVERVIEW

Sawyer's Fixed V-Head Pipe Stand features a 5" V-head designed to support pipe up to 24". The heavy-duty fixed-leg steel frame provides stable support for pipe fit-up, welding, and fabrication applications.

DIMENSIONS



Model No.

455-FSX

Description

Fixed Short V Head Pipe Stand

Contact Sawyer Mfg. Company for more info on the Pipe Stand.

Follow us on social media and watch product videos on our YouTube channel **Sawyer Mfg**

918-834-2550



sawyer^{mfg}.com