



Pipe Expander

Model 221B

About Us

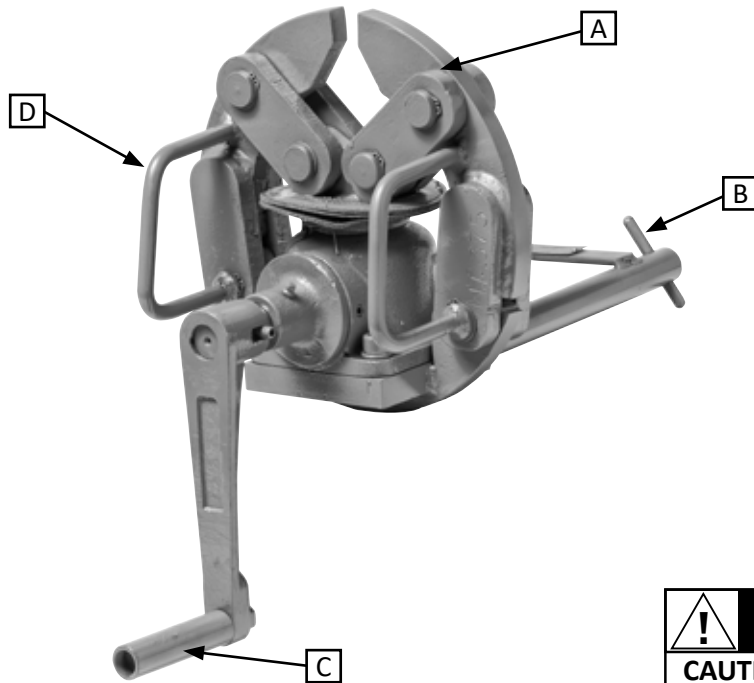
We appreciate your business!

Congratulations on your new SAWYER product. We are proud to have you as our customer and will strive to provide you with the best service and reliability in the industry. This product is backed by our extensive warranty and world-wide service network. To locate your nearest distributor or service agency, please contact us at the phone number and address listed on the bottom of each page.

You are in good company!

Sawyer Manufacturing Company is the world leader in the design and manufacture of pipeline and welding equipment and has been since 1948. Sawyer equipment has become a standard in the industry and continues to set the benchmark for quality and durability.

This user operation manual has been made to instruct you for the best use and operation of your Sawyer product. Your satisfaction with our products is our main goal. Please read this entire manual carefully, noting all tips, notes and warnings. Safety always comes first.



- A. Pipe rests
- B. Pipe guides
- C. Crank handle
- D. Handles

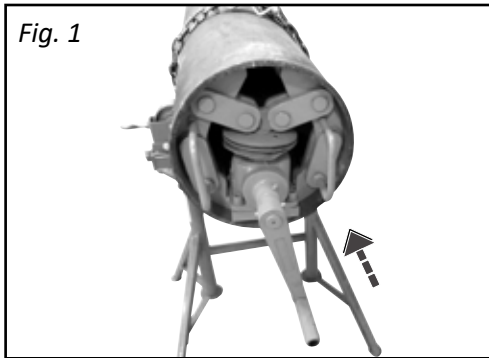
- C. Crank handle
- D. Handles

	CAUTION	
<p>CAUTION: Sawyer Manufacturing offers a precision manufactured Pipe Expander built with strength and durability. The Pipe Expander is to be used in making the pipe perfectly round. The Pipe Expander is not to be used as a support, clamp or a lifting device. Please use caution when operating Pipe Expander and keep loose items clear. After each use clean and store in a warm, dry area.</p>		

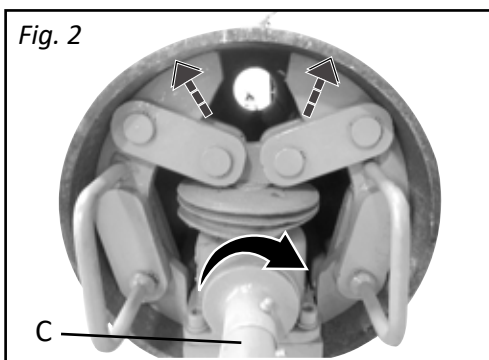
Warranty
<p>All products manufactured by or for Sawyer Manufacturing Company are guaranteed against defects due to faulty workmanship or materials for twelve months from the date of purchase.</p> <p>This guarantee is limited to the repair or replacement of any parts found to be defective, and no other liability—expressed, implied, or contingent—is assumed.</p>

<p>Record the following information for warranty purposes:</p> <p>Where purchased: _____</p> <p>Purchase date: _____</p> <p>Equipment Serial #: _____</p>

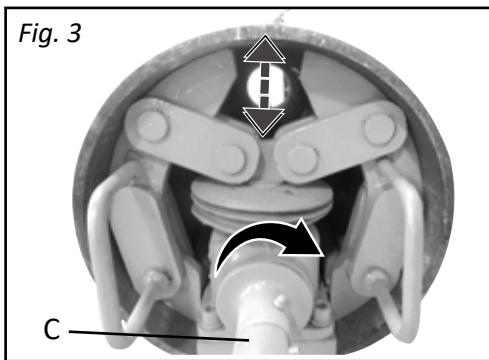
Operation



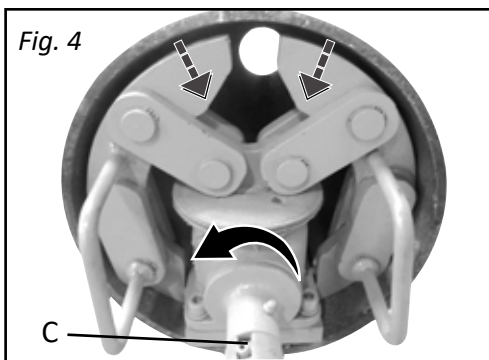
1. Insert Pipe Expander into pipe. (*Fig. 1*)



2. Turn crank handle (*C*) clockwise until pipe rests are fully depressed. (*Fig. 2*)



3. Turn crank handle (*C*) until pipe has formed back to its round shape. (*Fig. 3*)



4. Turn crank handle (*C*) counterclockwise to fully close and remove Pipe Expander. (*Fig. 4*)