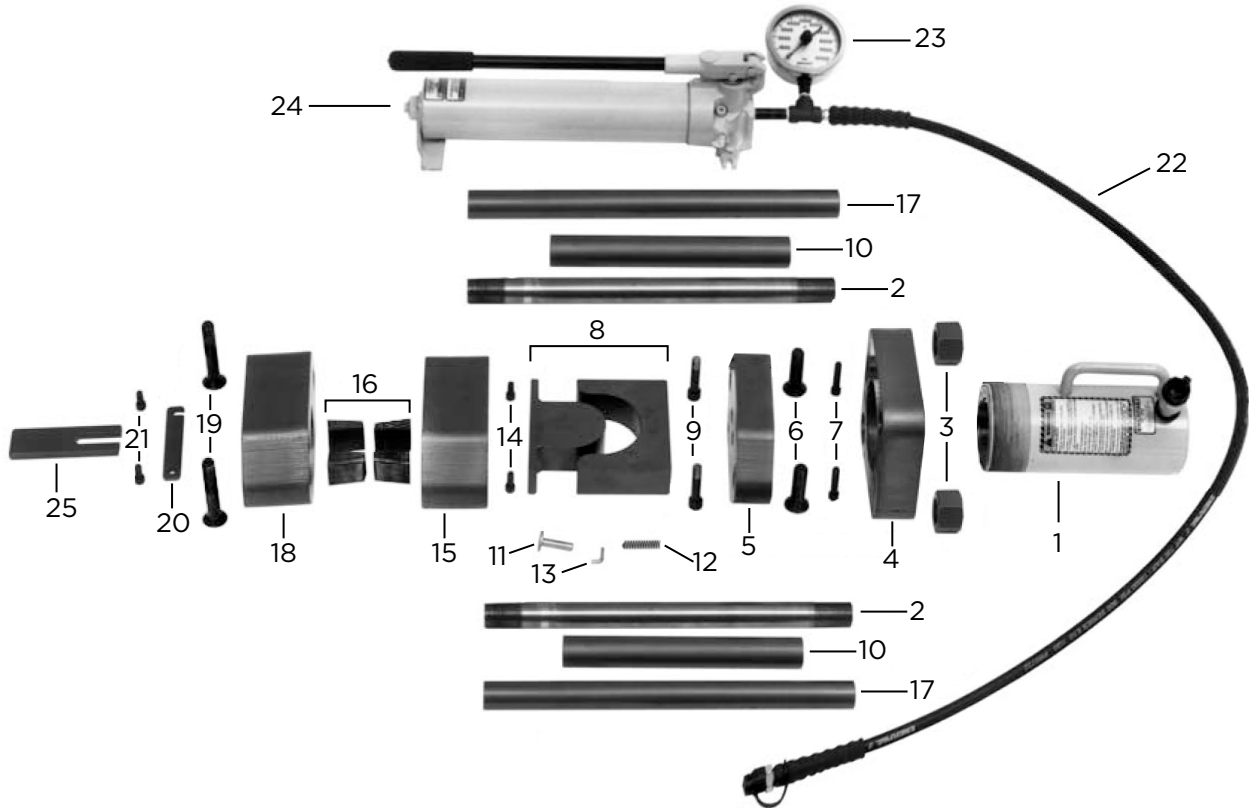


Parts List

273-55 - 55 Ton Guided Bend and Tensile Tester



| No. | Part Name | Part No. | Qty. |
|-----|-----------------------------|----------|------|
| 1 | Hydraulic Cylinder - 55 Ton | 526-3 | 1 |
| 2 | Tension Shaft | 29CO-A | 2 |
| 3 | Nut | 517-28 | 2 |
| 4 | Base | 12BH | 1 |
| 5 | Sub Base | 12BI | 2 |
| 6 | Bolt | 519-66 | 2 |
| 7 | Bolt | 519-68 | 2 |
| 8 | Die & Plunger* | 116* | 2 |
| 9 | Bolt | 36 | 2 |
| 10 | Spacer | 29CO-B | 2 |
| 11 | Plunger | A110B-A | 1 |
| 12 | Spring | A110B-B | 1 |
| 13 | "L" Bolt | A110B-C | 1 |

| No. | Part Name | Part No. | Qty. |
|-----|-------------------------|----------|------|
| 14 | Bolt | 519-34 | 1 |
| 15 | Stationary Head | 25AN | 2 |
| 16 | Jaw | 115A* | 4 |
| 17 | Compression Shaft | 29CO-C | 2 |
| 18 | Traveling Head | 25AO | 1 |
| 19 | Bolt | 519-67 | 2 |
| 20 | Jaw Retainer | 25AO-B | 1 |
| 21 | Bolt | 519-37 | 2 |
| 22 | Hydraulic Hose Assembly | 527-18 | 1 |
| 23 | Gauge | 526-27 | 1 |
| 24 | Hydraulic Pump | 526-5 | 1 |
| 25 | Jaw Tensioner | 119V | 1 |

*Determined by sample thickness and code requirements



SAWYER MFG COMPANY

7799 S Regency Drive • Tulsa, OK 74131
(918) 834-2550 • sawyermfg.com