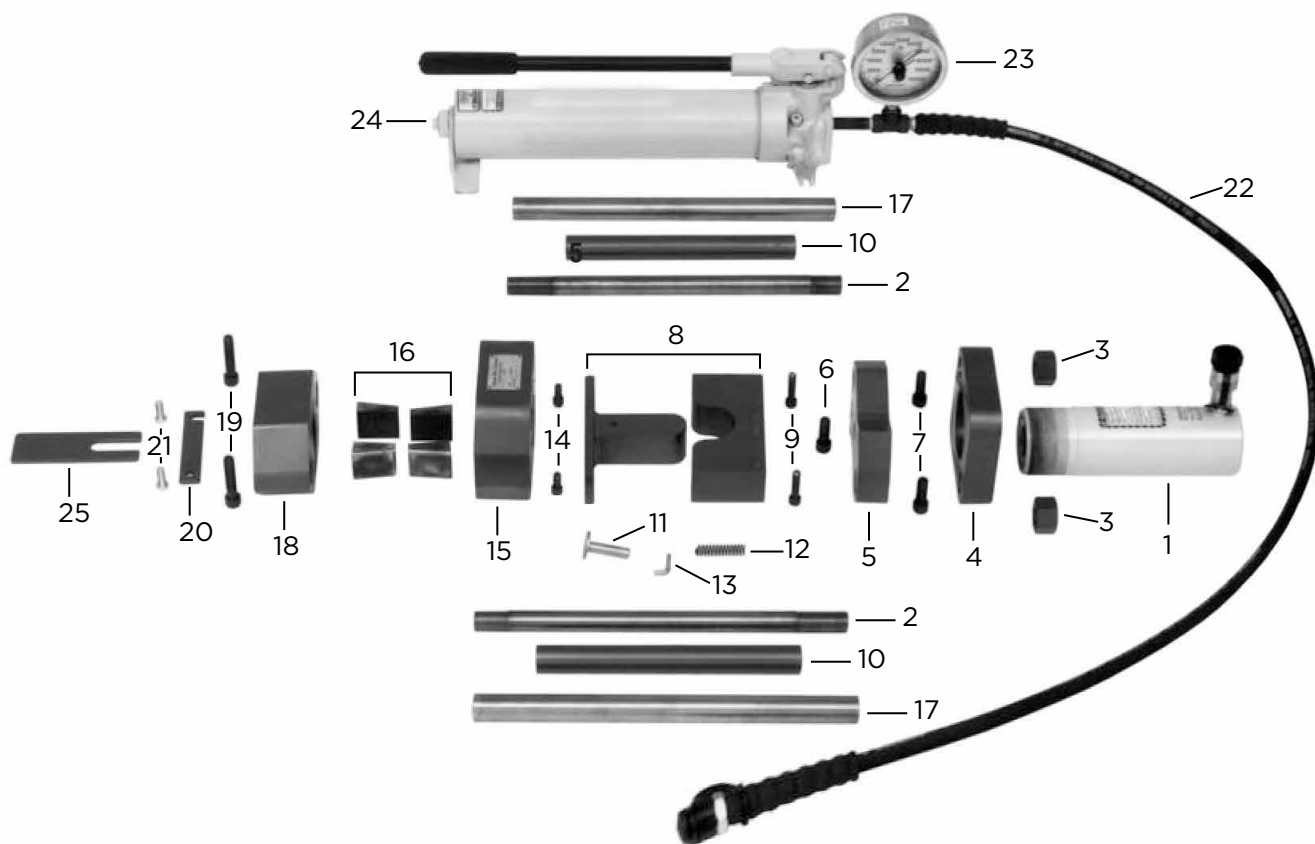


Parts List

273-25 - 25 Ton Guided Bend and Tensile Tester



No.	Part Name	Part No.	Qty.
1	Hydraulic Cylinder- 25 Ton	526-2	1
2	Tension Shaft	25CN-A	2
3	Nut	517-30	2
4	Base	12BE	1
5	Sub Base	12BF	1
6	Bolt	519-66	1
7	Bolt	519-69	2
8	Die and Plunger	116*	1
9	Bolt	519-68	2
10	Spacer	29CN-B	2
11	Plunger	A110B-A	1
12	Spring	A110B-B	1
13	"L" Bolt	A110B-C	1

No.	Part Name	Part No.	Qty.
14	Bolt	519-34	2
15	Stationary Head	25AK	1
16	Jaw*	115A*	4
17	Compression Shaft	29CN-C	2
18	Traveling Head	25AL	1
19	Bolt	519-68	2
20	Jaw Retainer	25AO-B	1
21	Bolt	519-37	2
22	Hydraulic Hose Assembly	527-18	1
23	Gauge	526-27	1
24	Hydraulic Pump	526-5	1
25	Jaw Tensioner	119V	1

*Determined by sample thickness and code requirements



SAWYER MFG COMPANY

7799 S Regency Drive • Tulsa, OK 74131
(918) 834-2550 • sawyermfg.com