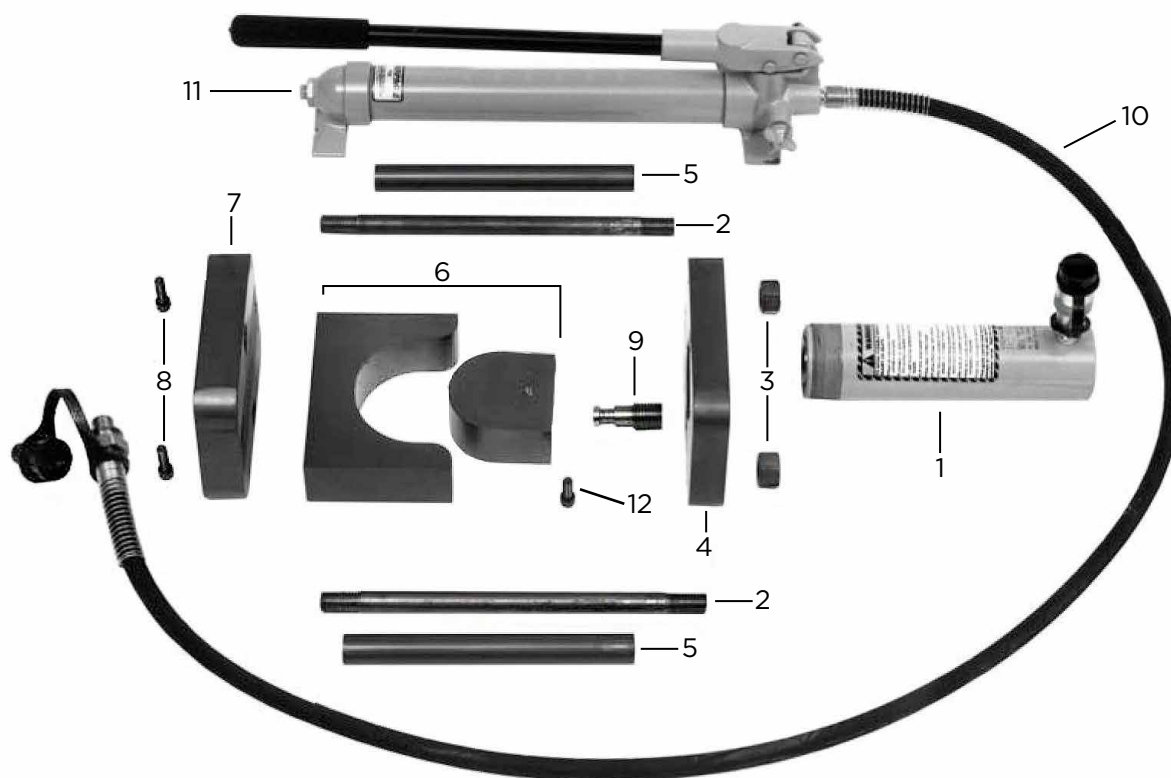


# Parts List

## 273-15 Guided 15-ton Strap Bender



No.	Part Name	Part No.	Qty.
1	Hydraulic Cylinder - 15 Ton	526-1	1
2	Tension Shaft	C4FF-1	2
3	Nut	517-29	2
4	Base	C4FF-4	1
5	Spacer	C4FF-6	2
6	Die & Plunger	116*	1

No.	Part Name	Part No.	Qty.
7	Head	C4FF-9	1
8	Bolt	519-38	2
9	Stud	C4FF-11	1
10	Hydraulic Hose Assembly	527-18	1
11	Hydraulic Pump	526-4	1
12	Bolt	519-34	1

\*Determined by sample thickness and code requirements



**SAWYER MFG COMPANY**

7799 S Regency Drive • Tulsa, OK 74131  
(918) 834-2550 • sawyermfg.com