

Specifications

Sawyer Crawler

Description	lb. Weight	kg. Weight
Standard Model 206A-9	21	9.5
Standard Model 206A-14	23	10.4
Motorized Model 206J-110	17	7.7
Motorized Model 206J-220	17	7.7
Right Angle Model 206J-RA-9	22	10

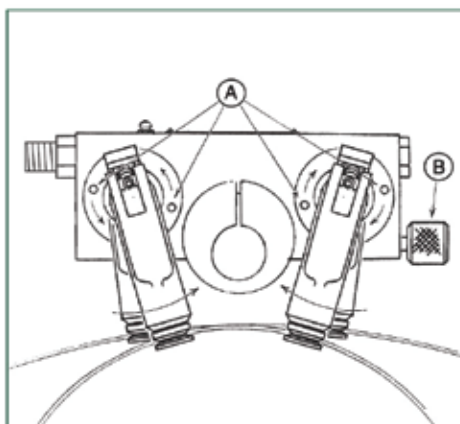
Crawler Accessories

Description	lb. Weight	kg. Weight
Motorized Kit 110VAC (206K-110)	7	3.2
Motorized Kit 220VAC (206K-220)	7	3.2
Dbl Cut Torch Holder (283D)	3	1.4
Adjustable Torch Holder (284D)	4	1.8

Sawyer Beveling Bands

Model No.	Size in.	Size mm.	lb. Weight	kg. Weight
206C-6	6	152.4	6	2.7
206C-8	8	203.2	8	3.6
206C-10	10	254.0	10	4.5
206D-12	12	304.8	12	5.4
206D-14	14	355.6	14	6.4
206D-16	16	406.4	16	7.3
206D-18	18	457.2	18	8.2
206D-20	20	508.0	20	9.1
206D-22	22	558.8	22	10.0
206D-24	24	609.6	24	10.9
206D-26	26	660.4	26	11.8
206D-28	28	711.2	28	12.7
206D-30	30	762.0	30	13.6
206D-32	32	812.8	32	14.5
206D-34	34	863.6	34	15.4
206D-36	36	914.4	36	16.3
206D-38	38	965.2	38	17.2
206D-40	40	1016.0	40	18.1
206D-42	42	1066.8	42	19.1
206D-44	44	1117.6	44	20.0
206D-46	46	1168.4	46	20.9
206D-48	48	1219.2	48	21.8
206D-50	50	1270.0	50	22.7
206D-52	52	1320.8	52	23.6
206D-54	54	1371.6	54	24.5
206D-56	56	1422.4	56	25.4
206D-58	58	1473.2	58	26.3
206D-60	60	1524.9	60	27.2

Operating Instructions



To adjust for Band radius --

1. Loosen cap screws "A" one or two turns.
2. Swing front and rear pairs of legs inward or outward to match band radius.
3. Snug up cap screws "A".
These should not be tightened down hard enough to interfere with the ball leg hinging action.

To adjust Torch Holder --

1. Loosen set screw "B".
2. Rotate eccentric torchholder to desired clearance.
3. Tighten set screw "B" -- hand tight.

Maintenance --

Occasionally use ice pick or pocketknife to scrape out accumulation in wheel grooves, to assure good crawler wheel/ band contact.



SAWYER MFG COMPANY

7799 S Regency Drive • Tulsa, OK 74131
P (918) 834-2550 • F (918) 834-0318