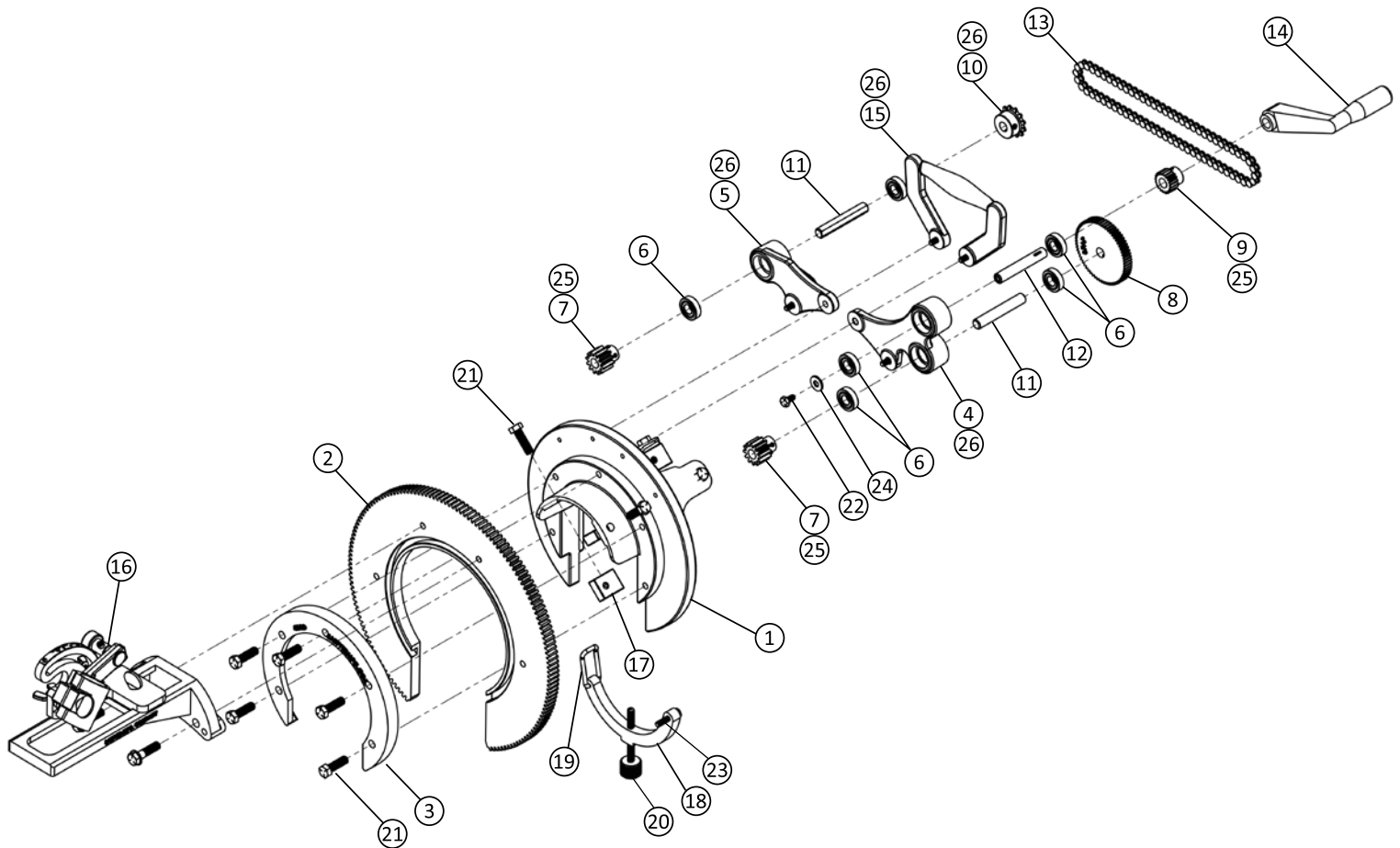


Sawyer Saddle Machine Parts List



No.	Part Name	Part No.	Qty.
1	Saddle #0	11BW	1
2	Ring Gear #0	37AW	1
3	Retainer #0	46AD	1
4	Crank Handle Bracket	42BQ	1
5	Single Shaft Bracket	42BP	1
6	Bearing	505-29	6
7	Pinion Gear	37AQ	1
8	Gear - Crank Driver	37AP	1
9	Spur Gear - Handle	37AT	1
10	Sprocket	37AS	1
11	Shaft - Crank Driver and Sprocket	29EG	2
12	Shaft - Handle	29EH	1
13	Drive Chain #0-#1	73T	1
14	Crank Handle	33AL	1

No.	Part Name	Part No.	Qty.
15	Handle	33AK	1
16	Classic Torch Holder	4KB	1
17	Spacer - #0 SSM <i>(not shown)</i>	30CS-0	4
18	Latch Arm	103B	1
19	Latch	34AA	1
20	Set Screw	4DF	1
21	Bolt	519-121	9
22	Bolt	519-119	1
23	Bolt	519-128	1
24	Washer	502-67	1
25	Nut	517-2	1
26	Bolt	519-127	4
27	Bolt	515-92	1
28	Set Screw	515-135	6
29	Set Screw	515-80	3

Follow us on social media and watch product videos on our YouTube channel **Sawyer Mfg**