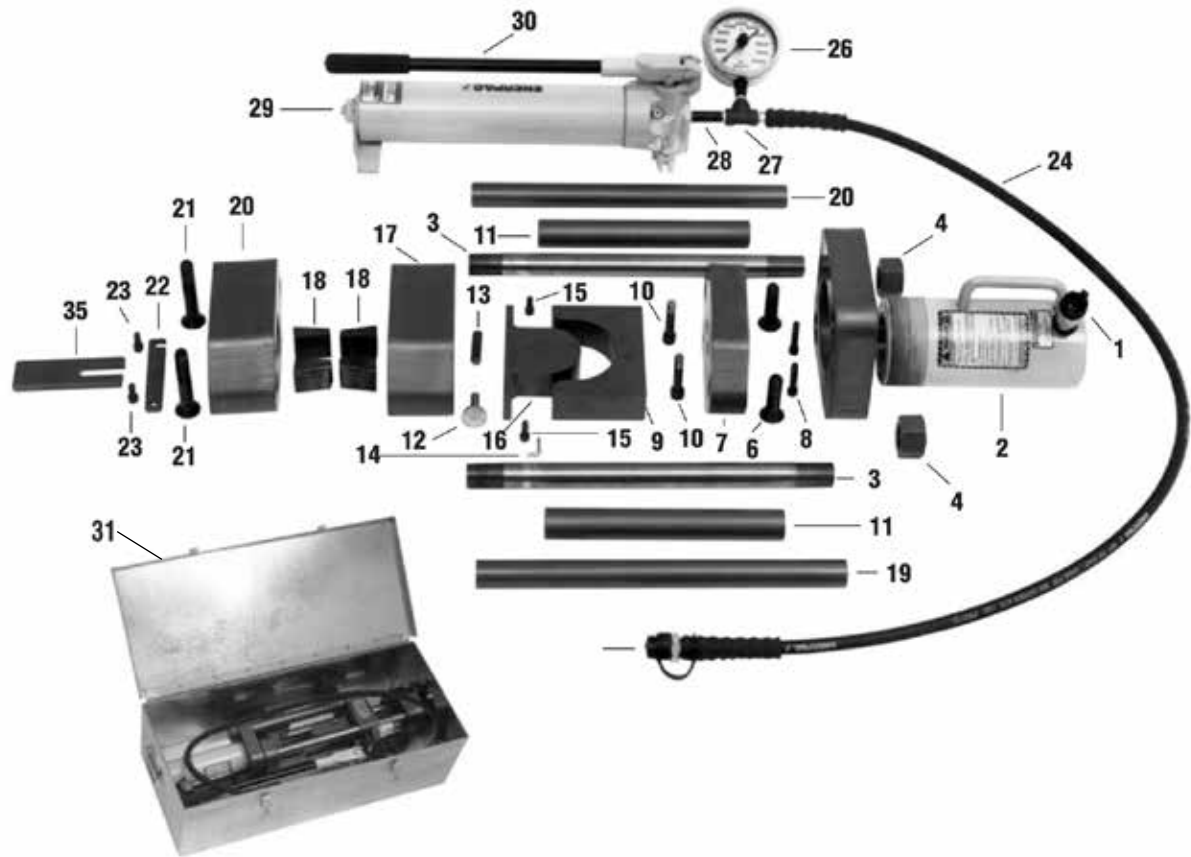


Parts List

273-50 - 50 Ton Guided Bend and Tensile Tester



No.	Part Name	Part No.	Qty.
1	1/2 Hydraulic Coupling - F	526-8-F	1
2	Hydraulic Cylinder	526-3	1
3	Tension Shaft	B529CO-A	2
4	Nut	517-28	2
5	Base	B12BH	1
6	Bolt	519-66	2
7	Sub Base	B12BI	2
8	Bolt	519-68	2
9	Die	B116*519-	2
10	Bolt	36	2
11	Spacer	B29CO-B	2
12	Plunger	A110B-A	1
13	Spring	A110B-B	1
14	"L" Bolt	A110B-C	1
15	Bolt	519-34	1
16	Plunger (determined by code)	B116*	4
17	Stationary Head	B25AN	2
18	Jaw	A115A*	4

No.	Part Name	Part No.	Qty.
19	Compression Shaft	B29CO-C	2
20	Traveling Head	B25AO-A	1
21	Bolt	519-67	2
22	Jaw Retainer	B25AO-B	1
23	Bolt	519-37	2
24	Hydraulic Hose Assembly	527-1	1
25	1/2 Hydraulic Coupling - M	526-8-M	1
26	Gauge	526-12	1
27	Pipe "T"	526-9	1
28	Pipe Nipple	526-11	1
29	Hydraulic Pump	526-5	1
30	Handle		
31	Metal Case	B13R-C	1
32	Electric Pump (Optional - Not Shown)	526-6	1
33	Pneumatic Pump (Optional - Not Shown)	526-7	1
34	Conversion Chart (Not Shown)	A3S-A	1
35	Jaw Tensioner	A119-V	1

*Determined by sample thickness and code requirements



SAWYER MFG COMPANY

7799 S Regency Drive • Tulsa, OK 74131
P (918) 834-2550 • F (918) 834-0318