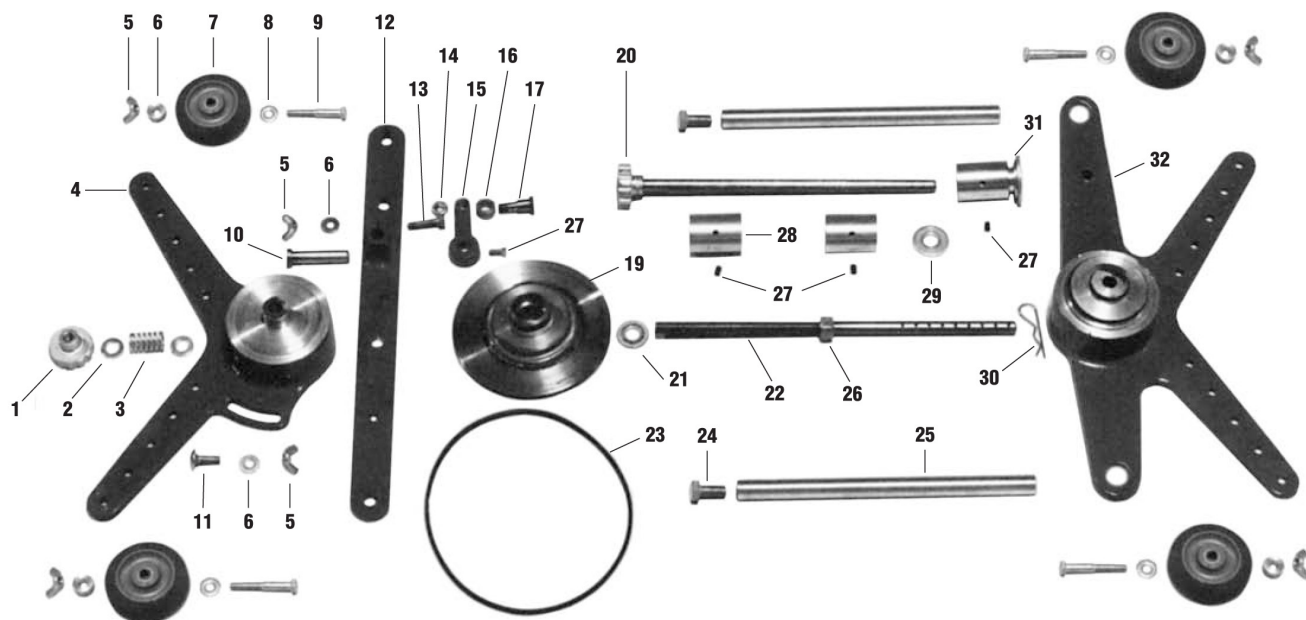


Parts List

229B Accuwrap II



No.	Part Name	Part No.	Qty.
1	Knob, Tension		1
2	Washer		2
3	Spring		1
4	Wing - Left		1
5	Wing Nut		6
6	Spacer - only on 6" machine		4
7	Wheel Assembly		4
8	Washer		6
9	Bolt, Axle		4
10	Pin		1
11	Bolt, Clamp		1
12	Bar Assembly, Adjusting		1
13	Bolt, Clamp		1
14	Nut		1
15	Arm		1
16	Bearing		1
17	Bearing Race - 29AJ		1
19	Pulley		1
20-6	Knob/Shaft Assembly - 6"		1
20-12	Knob/Shaft Assembly - 12"		1
20-18	Knob/Shaft Assembly - 18"		1

No.	Part Name	Part No.	Qty.
21	Washer		1
22-6	Shaft, Center - 6"		1
22-12	Shaft, Center - 12"		1
22-18	Shaft, Center - 18"		1
23	Belt		1
24	Bolt		2
25-6	Handle - 6"		2
25-12	Handle - 12"		2
25-18	Handle - 18"		2
26	Nut		1
27	Screw, Set		5-6
28	Spacer		2-3
29	Washer		1
30	Pin, Hitch		1
31	Pulley Assembly		1
32	Wing - Right		1
33	Serial Tag		1
34-6	Carton, Packing - 6"		1
34-12	Carton, Packing - 12"		1
34-18	Carton, Packing - 18"		1



SAWYER MFG COMPANY

7799 S Regency Drive • Tulsa, OK 74131
 P (918) 834-2550 • F (918) 834-0318