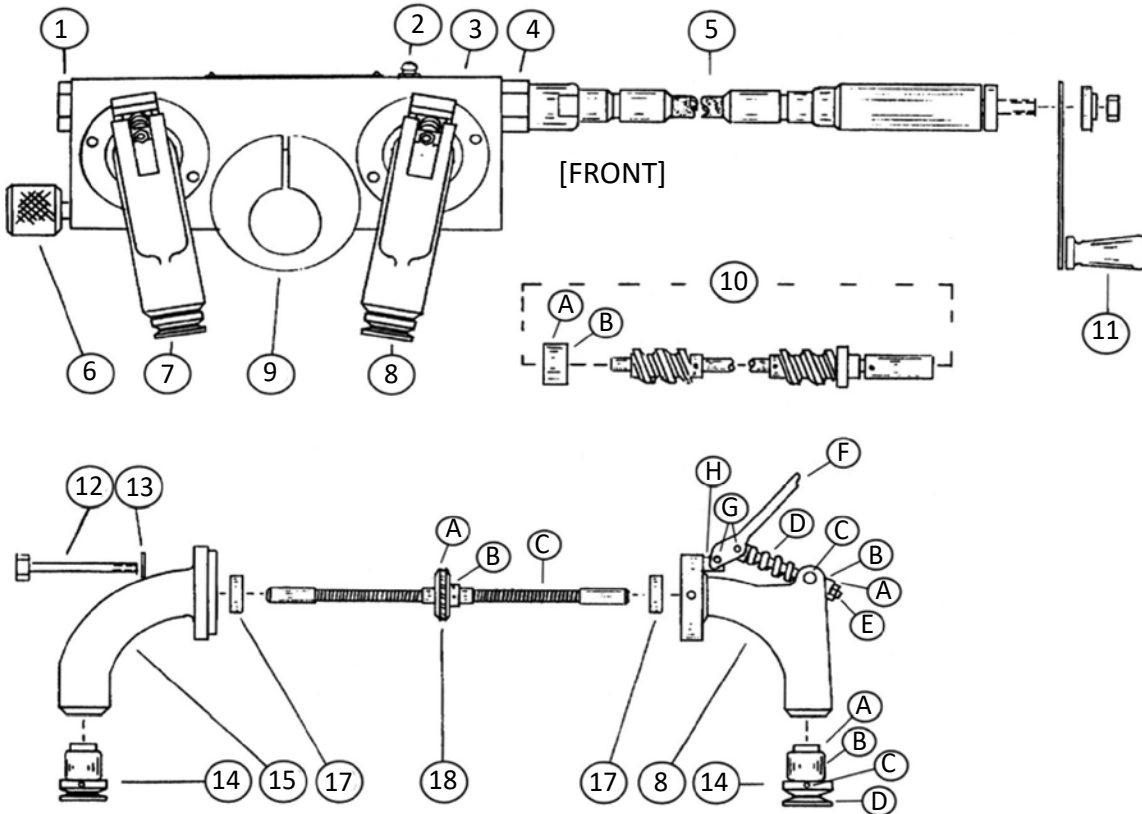


# Crawler Parts List

## Beveling Crawler



No.	Part Name	Part No.	Qty.
1	End Plug	32G-1	1
2	Grease Fitting	518-1	1
3	Body	11K	1
4	Connector	93B-1	1
5	Main Flex Drive Shaft Assy	29CA/29CR	1
6	Set Screw Assy	4DF	1
7	Rear Ball Leg Complete	4DD-1	1
8	Front Ball Leg Complete	4DD-2	1
	Latch Sub Assy (incl 8A-89I)	4FH	1
8A	Nut	517-6	1
8B	Spacer	30R-1	1
8C	Pivot Pin	35AG	1
8D	Spring	51AO	1
8E	Latch Pin - Long	38D-1	1
8F	Latch Handle	33H-1	1
8G	Rivet	523-2	1
8H	Latch Pin - Short	38C-1	1
8I	Hex Jam Nut (not shown)	517-32	1
9	Torch Holder	94A-1	1

No.	Part Name	Part No.	Qty.
10	Worm Shaft Assy	4DA	1
10A	Bearing Housing - Rear	56N	1
10B	Bearing	505-21	2
11	Crank Handle Assy	4DE	1
12	Cap Screw	519-13	4
13	Washer	502-29	4
14	Drive Wheel Assy	4DB	4
14A	Bearing Race	79C-1	1
14B	Bearing	505-19	1
14C	Pin	522-6	1
14D	Wheel	64N-1	1
15	Flanged Leg - Front	96A-1	1
16	Flanged Leg - Rear (not shown)	96A-2	1
17	Worm Gear Shaft Bearing	505-20	4
18	Worm Gear Shaft Assy	4DC	2
18A	Worm Gear	37AF	1
18B	Set Screw	515-4	2
18C	Flex Shaft	29CK	1

Follow us on social media and watch product videos on our YouTube channel **Sawyer Mfg**