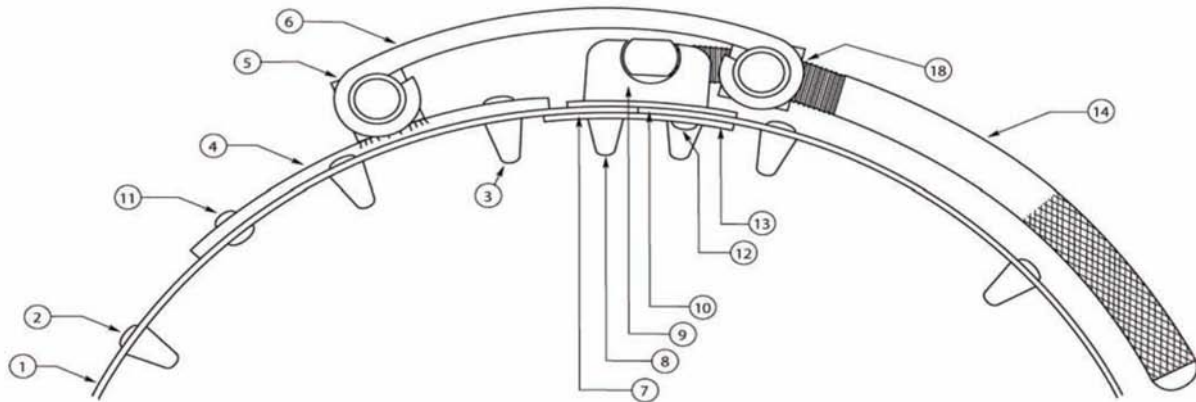


# Parts List

## 6" - 10" Beveling Bands



No.	Part Name	Part No.	Qty.
1	Band	99C	1
2	Locating Pin	35AH-1	Various
3	Latch Base Locating Pin	35BM	1
4	Latch Base Assy	12AV	1
5	#14 x 1/2" Drive Screw	515-18	4
6	Fulcrum Bar	97C	2
7	12 Gauge Tongue (Not Shown)	98B	1
8	Locating Pin	35BN	2
9	Latch Anchor	2FD	1
10	Top (Short) End Plate		1

No.	Part Name	Part No.	Qty.
11	1/4" x 1/2" Rivet	523-12	1
12	3/16" x 1/2" Rivet	523-6	2
13	Bottom (Long) End Plate	99C	1
14	Latch Handle Assy	33N	1
15	Band Handle (Not Shown)	33K-1	1
16	Name Plate	55U	1
17	#0 x 3/16" Drive Screw	515-27	2
18	1/4" Standard Washer	502-30	4
	Complete Latch Assy	2FD	1



**SAWYER MFG COMPANY**

7799 S Regency Drive • Tulsa, OK 74131  
 P (918) 834-2550 • F (918) 834-0318