

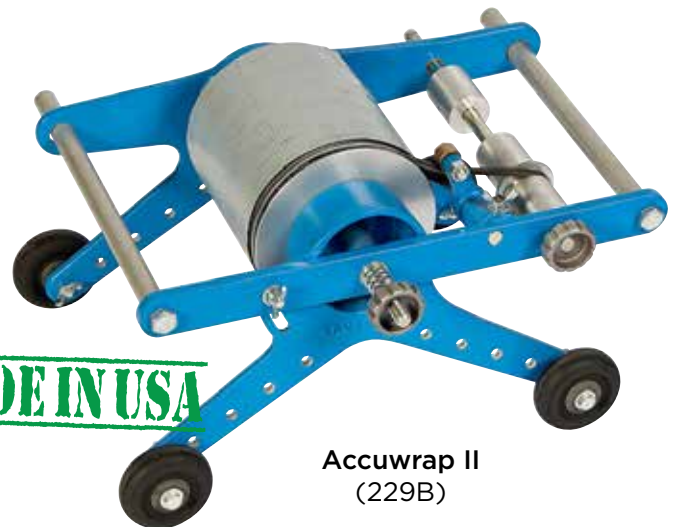


Accuwrap II

Hand-held pipe wrapping machine

The Sawyer Value

- Three machines fit tape widths 2"-6", 6"-12" and 12"-18"
- Accommodates tape with 1-1/2" or 3" tape core diameters and up to an 11" diameter tape roll
- Applies release liner or plain tape coatings
- Separate tension adjustments allow for tape and release line take-up
- Ideal for spiral and cigarette wrapping
- Used for any pipe 4" and larger
- Easy to operate
- 1 year warranty



Accuwrap II
(229B)

Light weight
construction

Order according to
tape width
not pipe diameter

Low profile
device

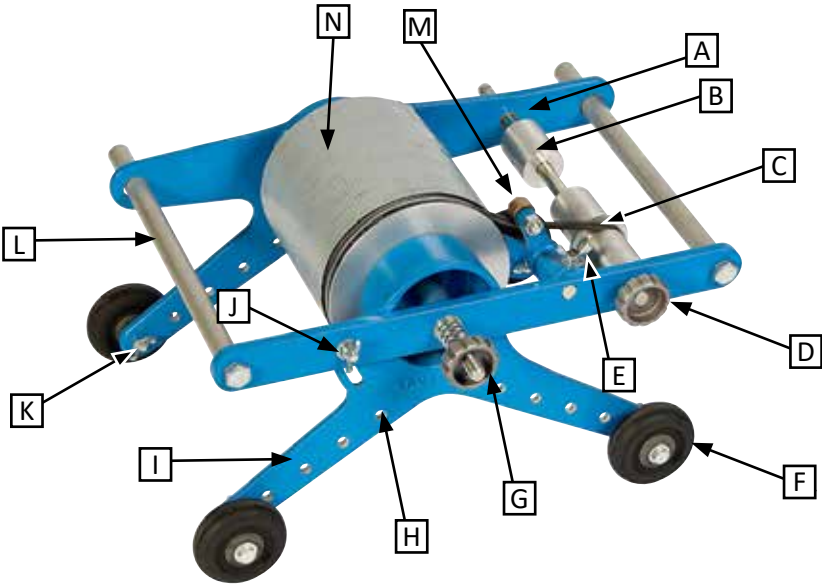
Model No.	Description	Est. Shipping Wgt.
229B-06	Accuwrap II for 2"-6" tape	14 lbs. 6.4 kg
229B-12	Accuwrap II for 6"-12" tape	18 lbs. 8.2 kg
229B-18	Accuwrap II for 12"-18" tape	22 lbs. 10.0 kg

30 Seconds (or less!) Sales Statement:

The Accuwrap II is an easy-to-operate, hand-held pipe wrapping device. The lightweight, low-profile design allows flexible and fast application of tape ranging from 2" to 18" wide. Sawyer Mfg.'s Accuwrap II simplifies tape coating and permits spiral and cigarette wrapping with the proper overlap. Independent adjustments ensure the proper tension every time.

Please Note:

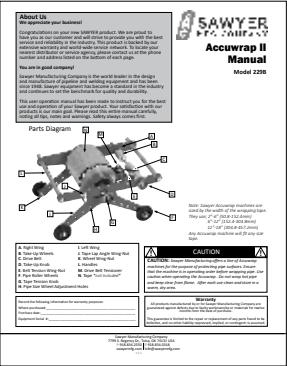
- Accuwrap II machines are sized by the width of the wrapping tape they use; 2-6" (50.8-152.4mm), 6-12" (152.4-304.8mm) and 12-18" (304.8-457.2mm). Any Accuwrap II machine will fit any size pipe 4" and up.



Parts Diagram

- | | | |
|---------------------------------|--|--------------------------------------|
| A. Right Wing | F. Pipe Roller Wheels | K. Wheel Wing-Nut |
| B. Take-Up Wheels | G. Tape Tension Knob | L. Handles |
| C. Drive Belt | H. Pipe Size Wheel Adjustment Holes | M. Drive Belt Tensioner |
| D. Take-Up Knob | I. Left Wing | N. Tape <i>*not included*</i> |
| E. Belt Tension Wing-Nut | J. Tape Lap Angle Wing-Nut | |

For Additional Resources:



Contact Sawyer Mfg. Co for Accuwrap II Manual and Marketing Material
<http://www.sawyerMfg.com>

Accuwrap II Video
<http://www.youtube.com/user/SawyerMFG>

