

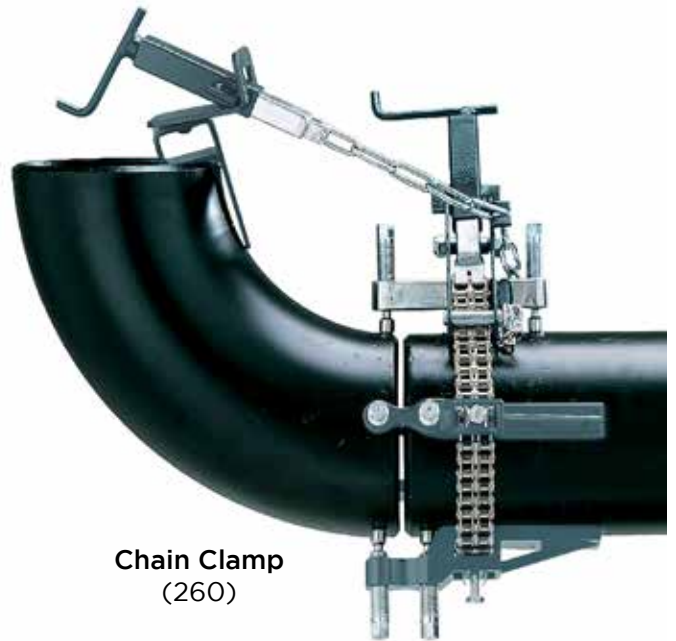


# Chain Clamp

*This clamp does it all*

## The Sawyer Value

- Available for pipe sizes 4" and up
- Accurate within 1/63" alignment
- Versatile; 10" - 72" clamp takes the place of multiple cage clamps
- Reforms pipe up to Schedule 40 and aligns pipe up to Schedule 80
- Chain Clamps can align elbows, tees, flanges and other fittings with a level and support device that comes standard
- Lighter and more portable than Cage Clamps
- For single jackscrew use, simply move one jackscrew off the pipe
- 1 year warranty



Chain Clamp  
(260)

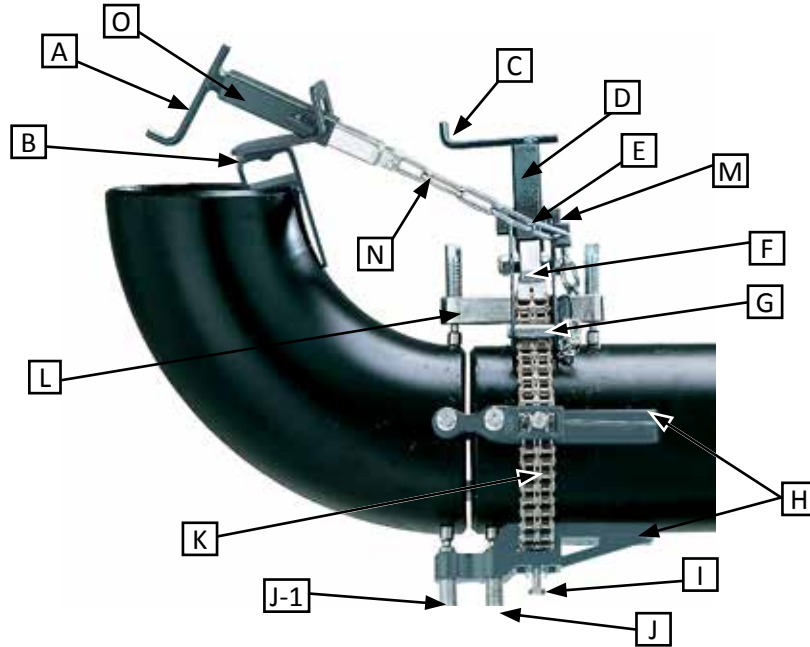
**Lightest in  
the industry**

**Pipe-to-pipe  
or pipe-to-fitting**

Model No.	Description	Jack Bars	Est. Shipping Wgt.
260-0420	4"-20" Chain Clamp	7	50 lbs. 22.6 kg
260-0420SS	4"-20" Chain Clamp Stainless Steel	7	50 lbs. 22.6 kg
260-1036	10"-36" Chain Clamp	8	100 lbs. 45.4 kg
260-1036SS	10"-36" Chain Clamp Stainless Steel	8	100 lbs. 45.4 kg
620-1072	10"-72" Chain Clamp	20	305 lbs. 138.3 kg
620-1072SS	10"-72" Chain Clamp Stainless Steel	20	305 lbs. 138.3 kg

### ***30 Seconds (or less!) Sales Statement:***

The Sawyer Mfg Chain Clamp offers versatility with options for pipe alignment from 4" to 72". This clamp packs a punch with the ability to reform pipe up to Schedule 40 and aligns pipe to Schedule 80. The adjustable jackscrews permit proper alignment of tees, elbows, or clanges. One Chain Clamp can do the job of many bulky cage clamps for pipe to pipe fitup; saving time and money. Clamps sold in international markets are color coded for quick recognition of steel and stainless steel applications.



### Parts Diagram

- |                                   |                                  |                                                             |
|-----------------------------------|----------------------------------|-------------------------------------------------------------|
| <b>A.</b> Elbow Adjustment Handle | <b>G.</b> Chain Pin              | <b>L.</b> Main Block                                        |
| <b>B.</b> Elbow Holding Block     | <b>H.</b> Jack Bars              | <b>M.</b> Chain Link Holding Ears                           |
| <b>C.</b> Adjustment Handle       | <b>I.</b> Chain Tightening Bolt  | <b>N.</b> Chain Link                                        |
| <b>D.</b> Fine Adjuster           | <b>J.</b> Primary Jack Screw     | <b>O.</b> Elbow Fine Adjuster                               |
| <b>E.</b> Fine Adjuster Wings     | <b>J-1.</b> Secondary Jack Screw | <b>P.</b> Main Block Adjustment Wing Nut <i>*not shown*</i> |
| <b>F.</b> Chain Lock Mechanism    | <b>K.</b> Chain                  | <i>* Level &amp; Support Device (combo of A,B,N&amp;O)</i>  |

### For Additional Resources:



Contact Sawyer Mfg. Co for the Chain Clamp Manual and Marketing Material

<http://www.sawyermpg.com>

Chain Clamp Video  
<http://www.youtube.com/user/SawyerMFG>



**SAWYER MFG COMPANY**

7799 S Regency Drive • Tulsa, OK 74131  
(918) 834-2550 • [sawyermpg.com](http://sawyermpg.com)