

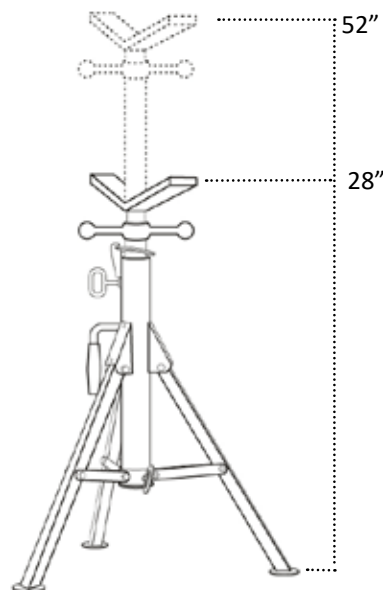
Folding V Head Pipe Stand



FEATURES AND BENEFITS

- 5" V Head for pipe up to 24" in diameter
- 2500 lb. (1135 kg.) load capacity
- Independently tested for safety
- Height adjustment range of 28" to 52"
- Locking ring is provided for quick vertical height adjustments
- Large adjustment screw turns easily
- Suitable for all pipe support applications
- Folding leg design makes it easy to transport and requires less storage area
- Soft plastic grip handle for carrying comfort

DIMENSIONS



Model 455

OVERVIEW

Sawyer's Folding V Head Pipe Stand features a 5" V-head for pipe up to 24". The heavy-duty frame features a convenient handle for easier transportation. The legs easily fold up for quick setup and tear down and requires less storage space.

ESTIMATED SHIPPING WEIGHT

Model No.	Description	Weight
455	Folding V Head Pipe Stand	25 lbs. 9.07 kg.

Contact Sawyer Mfg. Company for more info on the Pipe Stand.

Follow us on social media and watch product videos on our YouTube channel **Sawyer Mfg**

918-834-2550



sawyerimg.com