

Dimensions

For Pipe Hooks

Load Capacity

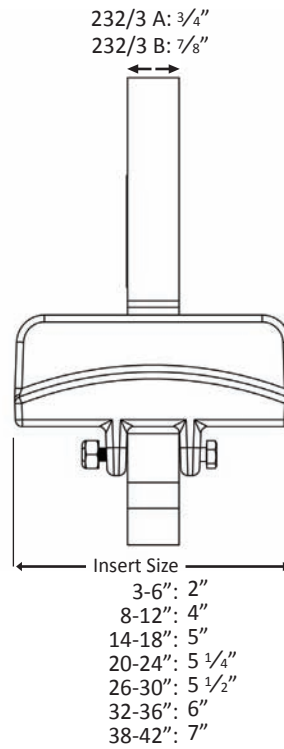
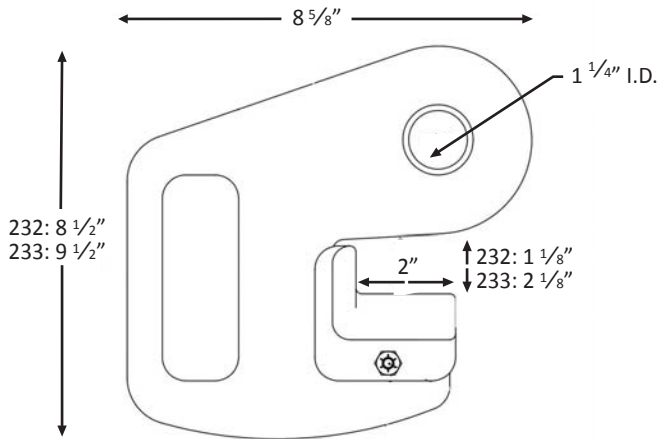
(per hook)

A Size: 8,000 lbs

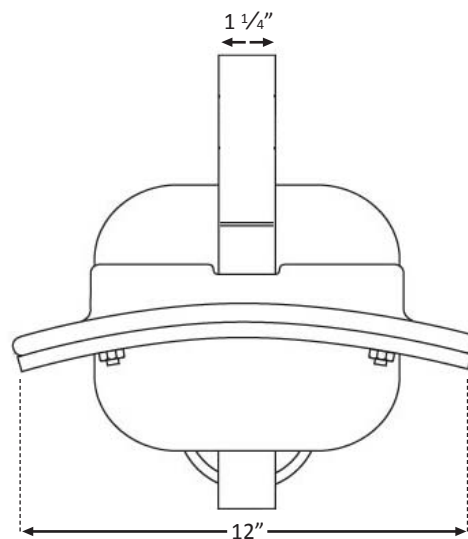
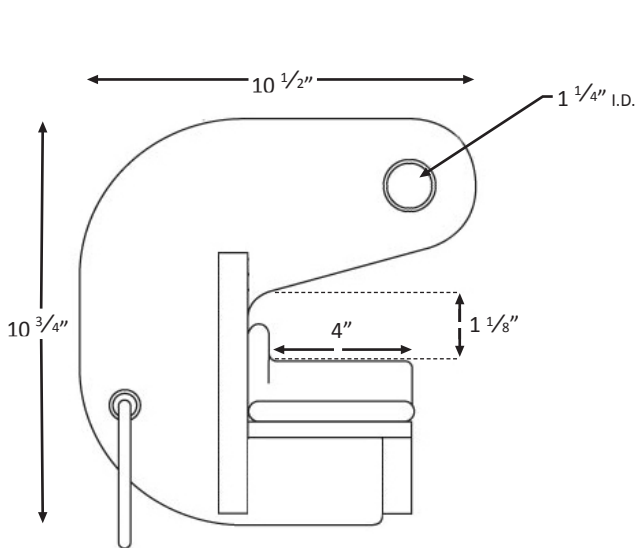
B Size: 10,000 lbs

C Size: 25,000 lbs

Models 232 & 233 A&B



Model 231 C



SAWYER MFG COMPANY

7799 S Regency Drive • Tulsa, OK 74131
P (918) 834-2550 • F (918) 834-0318